

Operating instructions manual vertical test stand

SAUTER TVL-XS

Version 1.0
10/2019
DE



PROFESSIONAL MEASURING



SAUTER TVL-XS

V. 1.0 10/2019

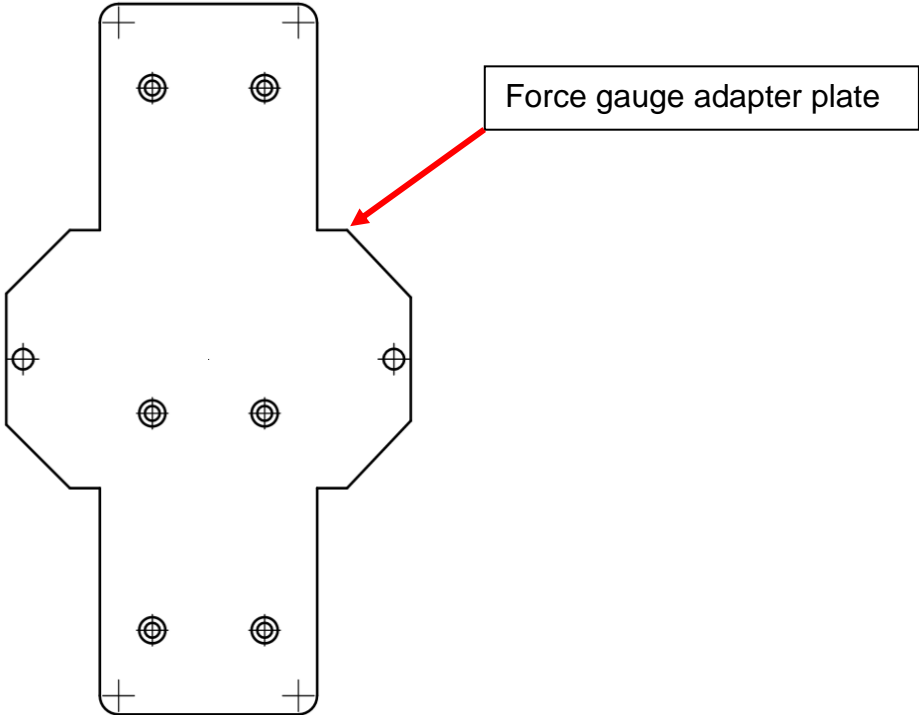
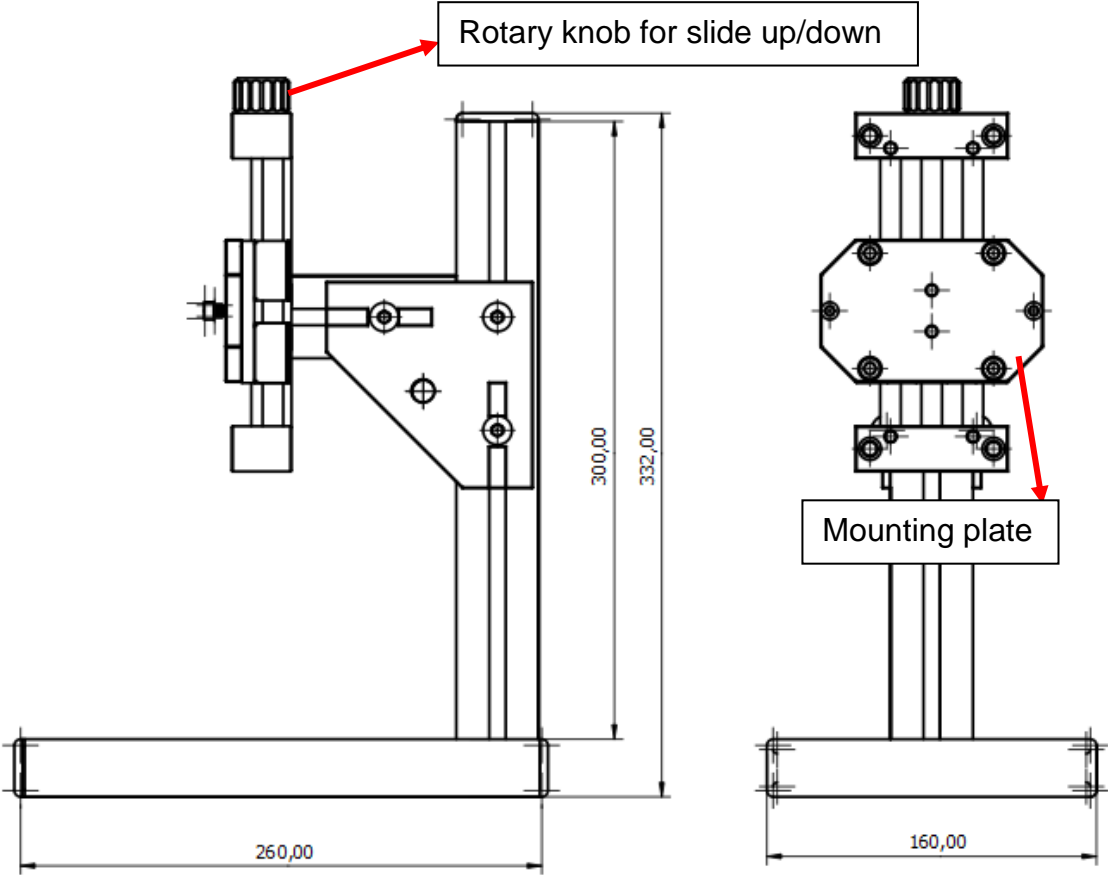
Operating instructions manual vertical test stand

Congratulations on purchasing the SAUTER TVL-XS test stand. We hope you enjoy your test stand. If operated correctly, this high-quality product will give you many years of use. For questions, wishes or suggestions we are always at your disposal.

Table of contents:

1	Technical Drawing	3
2	Funktion.....	4
3	Specifications	4
4	Operation.....	4
5	Maintenance	4
6	Scope of delivery	4

1 Technical Drawing



2 Funktion

This manual vertical test stand TVL-XS can be used for tension and compression tests. It is suitable for force gauges up to 100N. The test stand has good stability, has a wide range of applications and is easy to operate. The test stand can be used for rubber and plastic products, light industry and textiles, frame construction, complex materials, wires and cables, automotive industry, engines and scientific research.

3 Specifications

Capacity	100N
Maximum tension and compressive force	100N
Maximum travel distance	200mm
Spindle stroke per turn	2mm
Working temperature	20±10°C
Storage and delivery temperature	-27°C up to 70°C
Relative humidity	15% up to 80%

4 Operation

Please check everything before use!

1. The test bench should check that the spindle is running smoothly by moving it up and down without the load being attached.

5 Maintenance

1. The environment of the test bench shall be kept clean
2. The rail responsible for the movement should be kept free of liquids or objects.
3. The test rig should always be stored dust-free and free from moisture when not in use.

6 Scope of delivery

- Test stand
- Adapter plate for mounting the force gauge to the test bench
- Manual
- Adhesive feet

